



PARTS LIST
No. 994498

PARTS LIST
GAS MASKS
USING
M-S-A[®] CLEARVUE[®] FACEPIECE

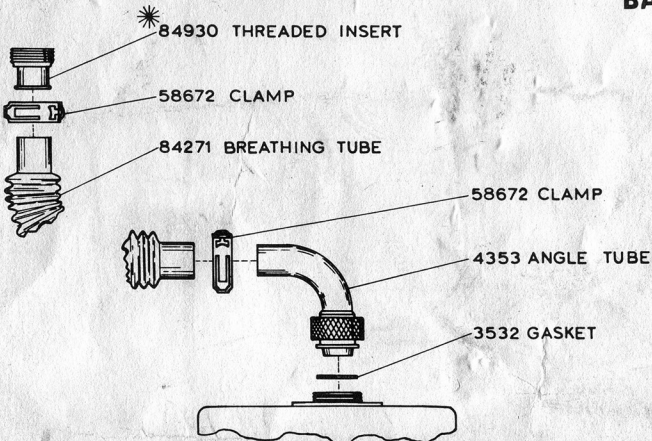


Mine Safety Appliances Company

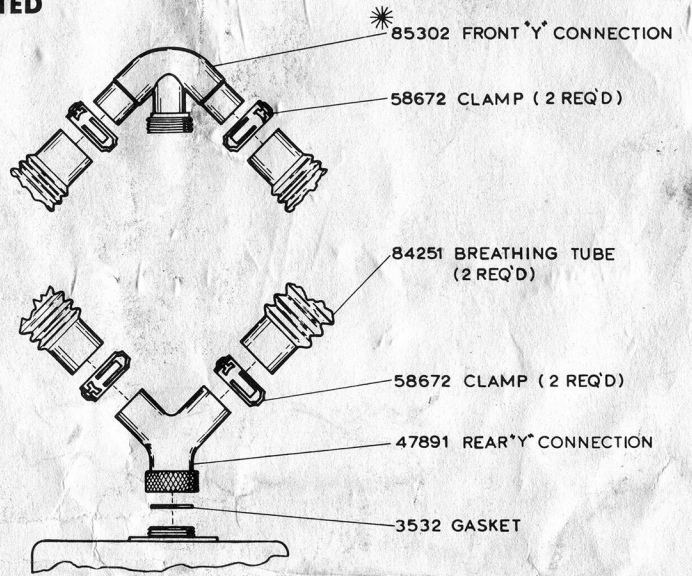
201 N. BRADDOCK AVENUE

PITTSBURGH 8, PENNSYLVANIA

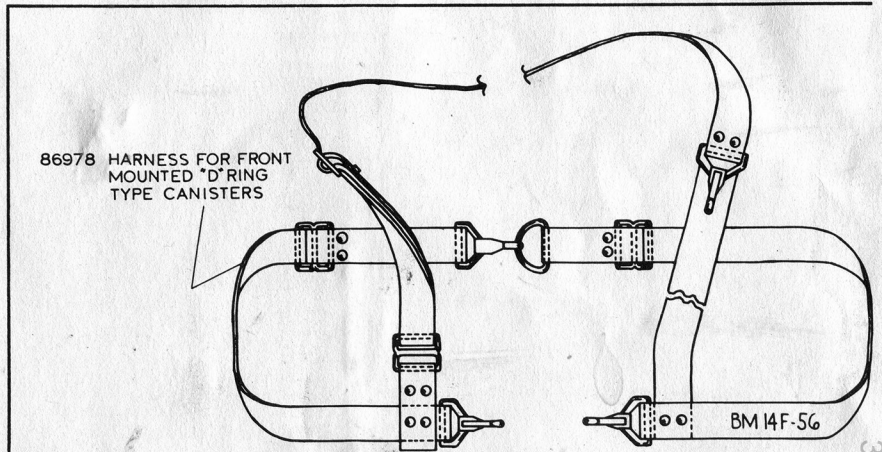
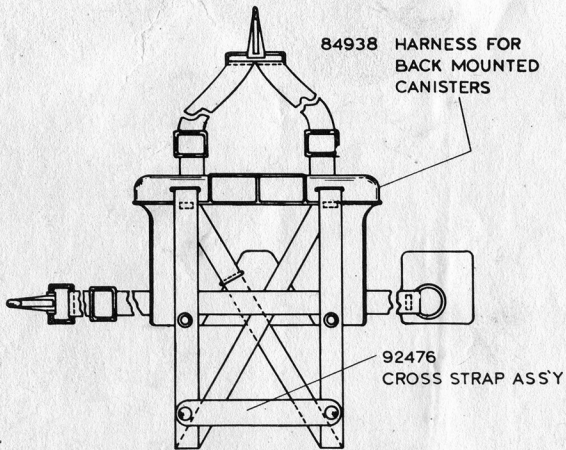
BACK MOUNTED



THIS ASS'Y USED FOR M-S-A®
TYPE 'C' BACK MOUNTED CANISTERS

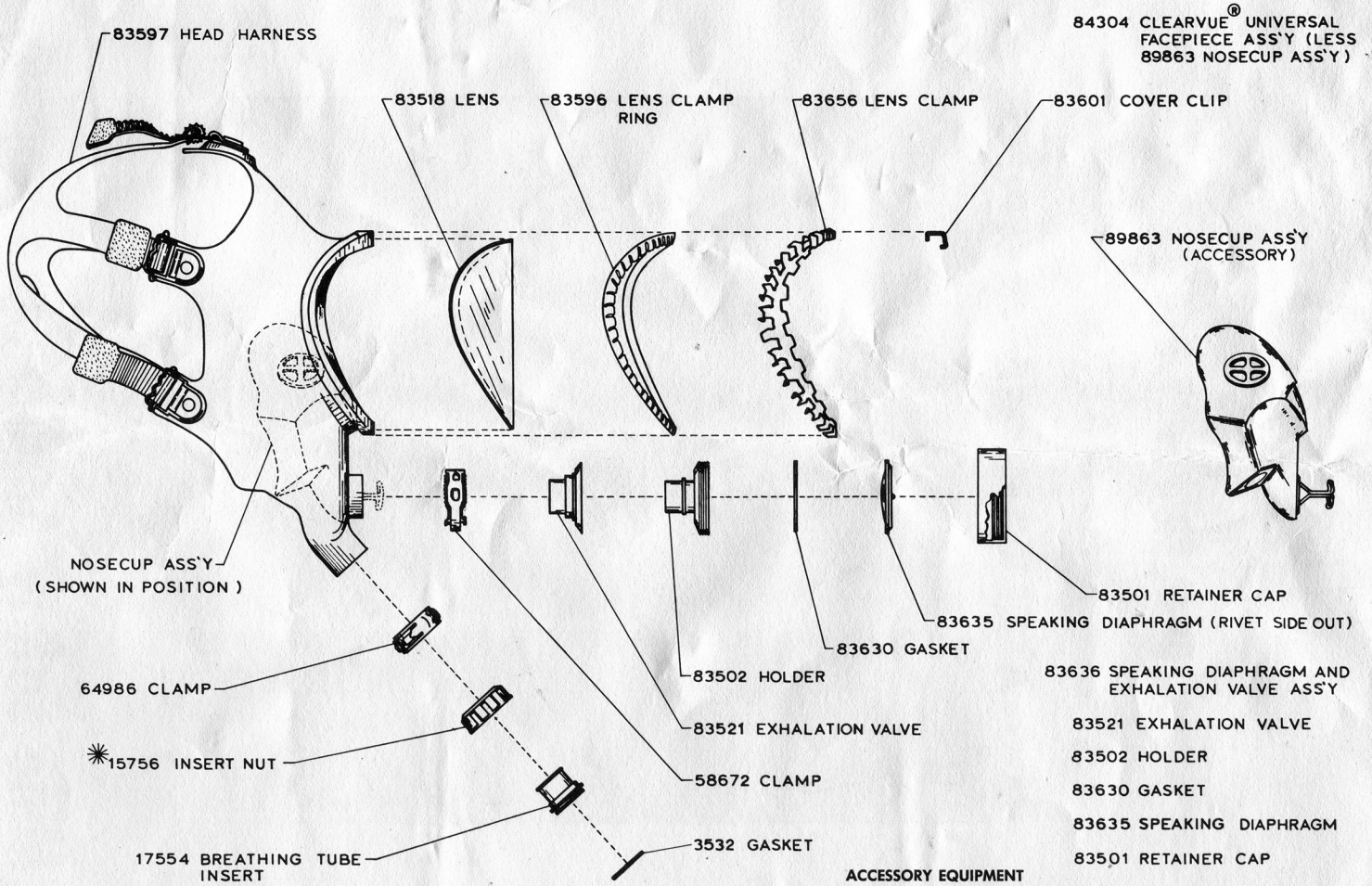


THIS ASS'Y USED FOR M-S-A®
TYPE 'D' BACK MOUNTED CANISTERS



M-S-A® CLEARVUE® GAS MASK

Note: For Catalog purposes all numbers shown on this page carry a prefix number 05-



*15756 INSERT NUT COUPLES TO A THREADED INSERT TO COMPLETE ASS'Y (GAS MASKS, RESPIRATORS ETC.) AS REQ'D.

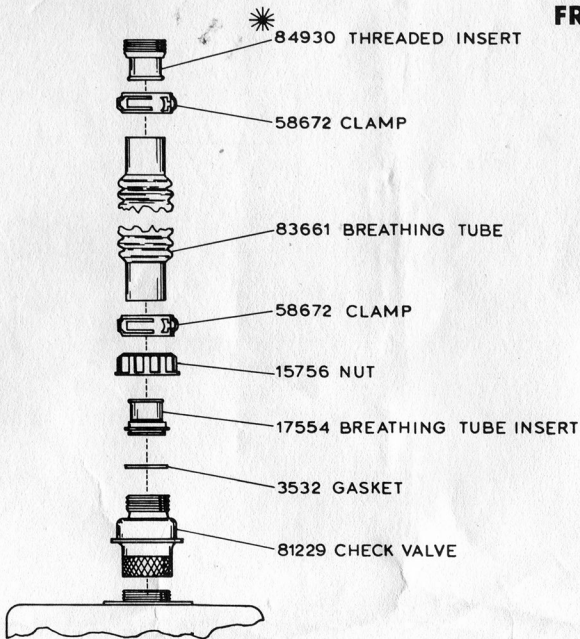
- 05-84773 Cover Lens (Clear) 25 per pkg.
- 05-86344 Cover Lens (Green) 25 per pkg.
- 05-89870 Prescription Spectacle Kit (20 dbl - 46 Lens)
- 05-89871 Prescription Spectacle Kit (22 dbl - 46 Lens)

ACCESSORY EQUIPMENT

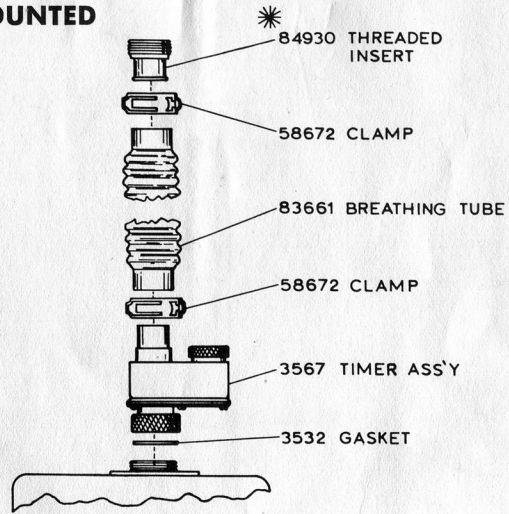
- | | |
|--|--|
| 05-83829 Prescription Spectacle Kit (24 dbl - 46 Lens) | 05-89874 Prescription Spectacle Kit (22 dbl - 48 Lens) |
| 05-89872 Prescription Spectacle Kit (26 dbl - 46 Lens) | 05-83830 Prescription Spectacle Kit (24 dbl - 48 Lens) |
| 05-89873 Prescription Spectacle Kit (20 dbl - 48 Lens) | 05-89875 Prescription Spectacle Kit (26 dbl - 48 Lens) |

300>0

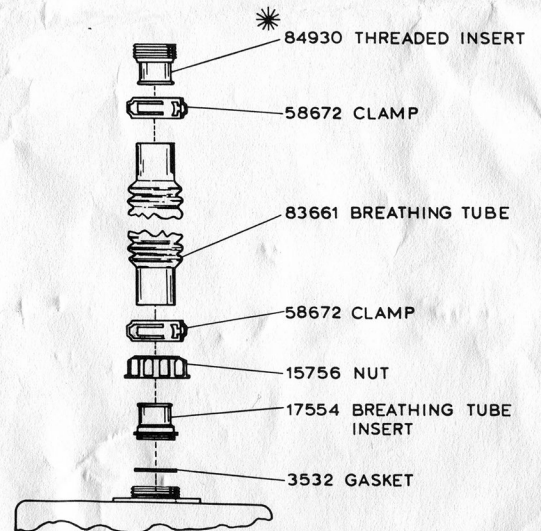
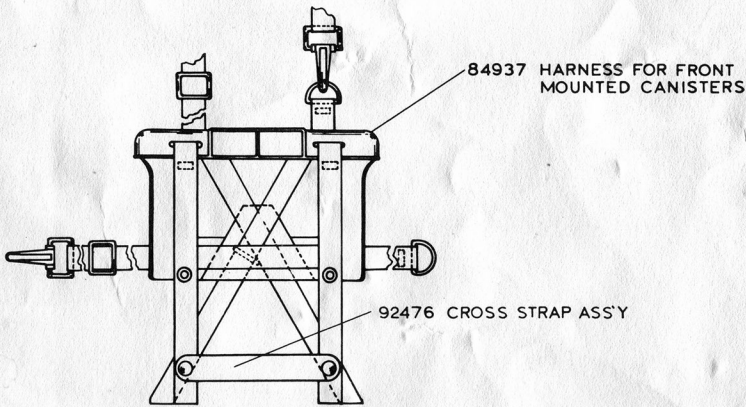
FRONT MOUNTED



THIS ASS'Y USED FOR M-S-A® WINDOW-CATOR® ALL-SERVICE® CANISTERS



THIS ASS'Y USED FOR M-S-A® NON-WINDOW ALL-SERVICE® CANISTERS



THIS ASS'Y USED FOR M-S-A® INDUSTRIAL AND SUPERSIZE CANISTERS